

HAC-HUM3100B

1MP HDCVI Pinhole Camera

HDCVI



- Max 30fps@720P
- HD output
- 3.6mm fixed lens
- DC12V



System Overview

Experience HD 720P video with the simplicity of using existing cabling infrastructure. The camera features compact design and high quality image. It offers multi-language OSD and HDCVI video output. The structure flexibility and high image performance makes the pinhole camera an ideal choice for invisible monitoring applications such as ATM.

Functions

Elaborate Design

For better adapting the applications for invisible monitoring, the pinhole camera is designed with micro-sized compact case, which minimizes the interference against on-going activities. Taking aesthetics requirements into consideration, the body of the camera is all-black.

4 Signals over 1 Coaxial Cable

HDCVI technology supports 4 signals to be transmitted over 1 coaxial cable simultaneously, i.e. video, audio*, data and power. Dual-way data transmission allows the HDCVI camera to interact with the HCVR, such as sending control signal or triggering alarm. Moreover, HDCVI technology supports PoC for construction flexibility.

* Audio input is available for some models of HDCVI cameras.

Simplicity

HDCVI technology inherits the born feature of simplicity from traditional analog surveillance system, making itself a best choice for investment protection. HDCVI system can seamlessly upgrade the traditional analog system without replacing existing coaxial cabling. The plug and play approach enables full HD video surveillance without the hassle of configuring a network.

Multi-language OSD

OSD menu provides multiple image adjustments and function settings to meet the requirements of different monitoring scenes. The OSD menu includes configurations such as backlight mode, white balance, DWDR and day/night.

Multi-interfaces

The camera is designed with multi-interfaces for transmitting/receiving various signals. It supports HDCVI video output and audio input interface. Multi-interfaces covers different requirements of monitoring scenes and facilitates deployment and construction.

Protection

Supporting $\pm 10\%$ input voltage tolerance, this camera suits the unstable power supply conditions. Its 4KV lightning rating provides protection against the camera and its structure from the effects of lightning.

Technical Specification

Camera

Image Sensor	1/2.9" CMOS
Effective Pixels	1280(H)×720(V), 1MP
Scanning System	Progressive
Electronic Shutter Speed	PAL: 1/50s~1/100000s NTSC: 1/60s~1/100000s
Minimum Illumination	0.05Lux/F2.8 (Color), 0.005Lux/F2.8 (B/W)
S/N Ratio	More than 65dB
IR Distance	N/A
IR On/Off Control	N/A
IR LEDs	N/A

Lens

Lens Type	Fixed lens / Fixed iris
Mount Type	Board-in
Focal Length	3.6mm
Max Aperture	F2.8
Angle of View	H: 79.7°
Focus Control	N/A
Close Focus Distance	400mm 15.75"

Pan / Tilt / Rotation

Pan/Tilt/Rotation	Pan: 0° ~ 360° Tilt: 0° ~ 180° Rotation: N/A
-------------------	--

Video

Resolution	720P (1280×720)
Frame Rate	25/30fps@720P
Video Output	1-channel BNC HDCVI high definition video output
Day/Night	Auto (Electronic) / Manual
OSD Menu	Multi-language
BLC Mode	BLC / HLC / DWDR
WDR	DWDR
Gain Control	AGC
Noise Reduction	2D
White Balance	Auto / Manual
Smart IR	N/A

Certifications

Certifications	CE (EN55032, EN55024, EN50130-4) FCC (CFR 47 FCC Part 15 subpartB, ANSI C63.4-2014) UL (UL60950-1+CAN/CSA C22.2 No.60950-1)
----------------	---

Interface

Audio Interface	1-channel audio in
-----------------	--------------------

Electrical

Power Supply	12V DC ±10%
Power Consumption	Max 1.5W (12V DC, IR on)

Environmental

Operating Conditions	-30°C ~ +60°C (-22°F ~ +140°F) / Less than 90% RH * Start up should be done at above -30°C (-22°F)
Storage Conditions	-30°C ~ +60°C (-22°F ~ +140°F) / Less than 90% RH
Ingress Protection & Vandal Resistance	N/A

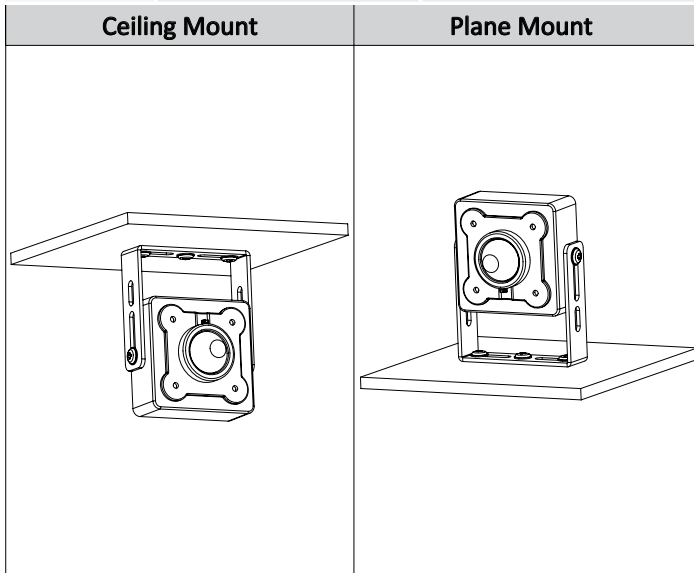
Construction

Casing	Aluminium
Dimensions	35.5mm×30.0mm×21.3mm (1.40"×1.18"×0.84")
Net Weight	0.05kg (0.11lb)
Gross Weight	0.13kg (0.29lb)



Ordering Information

Type	Part Number	Description
1MP Camera	HAC-HUM3100BP 3.6mm	1MP HDCVI Pibhole Camera, PAL
	HAC-HUM3100BN 3.6mm	1MP HDCVI Pinhole Camera, NTSC



Dimensions (mm/inch)

