

# DH-IPC-HDBW2101R-ZS/VFS



## 1.3MP HD WDR Water-Proof & Vandal-Proof Network Dome Camera



### Features

- 1/3" 1.3Megapixel progressive scan CMOS
- H.264 & MJPEG dual-stream encoding
- 25/30fps@1.3M(1280×960)
- Day/Night(ICR), 3DNR, AWB, AGC, BLC, WDR(120dB)
- Multiple network monitoring: Web viewer, CMS(DSS/PSS) & DMSS
- 2.7~12mm varifocal lens
- Max IR LEDs Length 20m
- Micro SD memory, IP66, IK10, PoE

# DH-IPC-HDBW2101R-ZS/VFS



## Technical Specifications

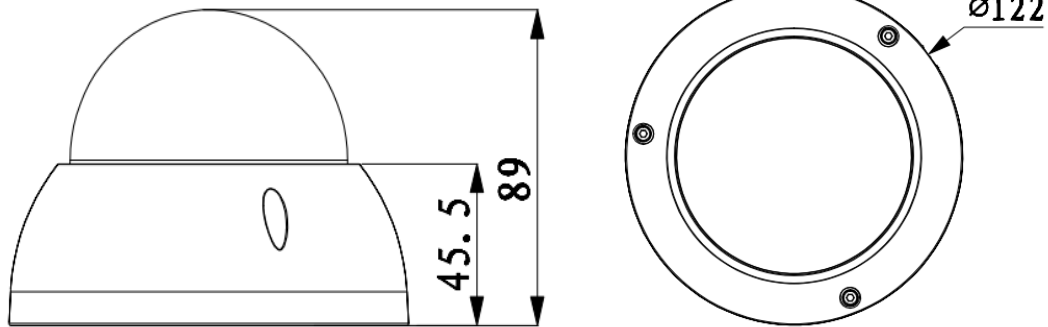
| Model                    | DH-IPC-HDBW2101R-VFS   | DH-IPC-HDBW2101R-ZS     |
|--------------------------|--|-------------------------|
| <b>Camera</b>            |  |                         |
| Image Sensor             | 1/3" 1.3Megapixel progressive scan CMOS  |                         |
| Effective Pixels         | 1280(H)x960(V)   |                         |
| Scanning System          | Progressive  |                         |
| Electronic Shutter Speed | Auto/Manual, 1/3(4)~1/10000s   |                         |
| Min. Illumination        | 0.01Lux/F1.4(Color); 0Lux/F1.4(IR on)  |                         |
| S/N Ratio                | More than 50dB   |                         |
| Video Output             | N/A  |                         |
| <b>Camera Features</b>   |  |                         |
| Max. IR LEDs Length      | 20m  |                         |
| Day/Night                | Auto(ICR)/Color/B/W  |                         |
| Backlight Compensation   | BLC / HLC / WDR(120dB)   |                         |
| White Balance            | Auto/Manual  |                         |
| Gain Control             | Auto/Manual  |                         |
| Noise Reduction          | 3D   |                         |
| Privacy Masking          | Up to 4 areas  |                         |
| <b>Lens</b>              |  |                         |
| Focal Length             | 2.7mm~12mm   | 2.7mm~12mm              |
| Max Aperture             | F1.4   | F1.4                    |
| Focus Control            | Manual   | Auto                    |
| Angle of View            | H: 87.5° ~32°  | H: 87.5° ~32°           |
| Lens Type                | Manual/Fixed Iris  | Motorized/Fixed Iris    |
| Mount Type               | Board-in Type  | Board-in Type           |
| <b>Video</b>             |  |                         |
| Compression              | H.264/ H.264H/ H.264B/ MJPEG   |                         |
| Resolution               | 1.3M(1280×960)/720P(1280×720)/D1(704×576/704×480)/CIF(352×288/352×240)   |                         |
| Frame Rate               | Main Stream  | 1.3M/720P(1 ~ 25/30fps) |
|                          | Sub Stream   | D1/CIF(1 ~ 25/30fps)    |
| Bit Rate                 | H.264: 32K ~ 8192Kbps  |                         |
| <b>Audio</b>             |  |                         |
| Compression              | N/A  |                         |
| Interface                | N/A  |                         |
| <b>Network</b>           |  |                         |
| Ethernet                 | RJ-45 (10/100Base-T)   |                         |
| Wi-Fi                    | N/A  |                         |
| Protocol                 | IPv4/IPv6, HTTP, HTTPS, SSL, TCP/IP, UDP, UPnP, ICMP, IGMP, SNMP, RTSP, RTP, SMTP, NTP, DHCP, DNS, PPPOE, DDNS, FTP, IP Filter, QoS, Bonjour |                         |
| Compatibility            | ONVIF, PSIA, CGI   |                         |
| Max. User Access         | 20 users   |                         |

## DH-IPC-HDBW2101R-ZS/VFS

|                            |                                      |       |
|----------------------------|--------------------------------------|-------|
| Smart Phone                | iPhone, iPad, Android, Windows Phone |       |
| <b>Auxiliary Interface</b> |                                      |       |
| Memory Slot                | Micro SD, Max 64GB                   |       |
| RS485                      | N/A                                  |       |
| Alarm                      | N/A                                  |       |
| PIR Sensor Range           | N/A                                  |       |
| <b>General</b>             |                                      |       |
| Power Supply               | DC12V, PoE (802.3af)                 |       |
| Power Consumption          | <4W                                  | <7.5W |
| Working Environment        | -30°C~+60°C, Less than 95% RH        |       |
| Ingress Protection         | IP66                                 |       |
| Vandal Resistance          | IK10                                 |       |
| Dimensions                 | φ122mm×89mm                          |       |
| Weight                     | 0.5kg                                |       |

# DH-IPC-HDBW2101R-ZS/VFS

## Dimensions (mm)



## Accessories(optional)



### Dahua Technology Co., Ltd.

1199 BinAn Road, Binjiang District, Hangzhou, China

Tel: +86-571-87688883

Fax: +86-571-87688815

Email: overseas@dahuatech.com

www.dahuasecurity.com

\*Design and specifications are subject to change without notice.

© 2014 Dahua Technology Co., Ltd.