

DH-IPC-HFW2431R-ZS/VFS-IRE6

4MP WDR IR Bullet Network Camera



- 1/3" 4Megapixel progressive CMOS
- H.265 & H.264 dual-stream encoding
- 20fps@4M(2688×1520)&25/30fps@3M(2304×1296)
- WDR(120dB), Day/Night(ICR), 3DNR, AWB, AGC, BLC
- Multiple network monitoring: Web viewer, CMS(DSS/PSS) & DMSS
- Micro SD card slot, up to 128GB
- 2.7~13.5mm varifocal lens
- Max IR LEDs Length 60m
- IP67, PoE



System Overview

The IR Megapixel Vari-focal Bullet camera delivers 4MP resolution with a motorized 2.7mm – 13.5mm varifocal lens. The camera's elegant blend of aesthetics combined with a range of easy mounting solutions provides an excellent choice for a variety of small to mid-size applications at an affordable price.

Functions

True Day/Night

A day/night mechanical IR cut filter makes this camera ideal for applications with fluctuating lighting conditions, delivering color images during the day and automatically switching to monochrome as the scene darkens

Regions of interest

Regions of Interest (ROI) is a user defined feature that allows the operator to monitor specific areas of a scene while still maintaining overall situational awareness of less important areas

Smart IR

With IR illumination, detailed images can be captured in low light or total darkness. The camera's Smart IR technology adjusts to the intensity of camera's infrared LEDs to compensate for the distance of an object. Smart IR technology prevents IR LEDs from whiting out images as they come closer to the camera. The camera's integrated infrared illumination provides high performance in extreme low-light environments up to 60m (197ft).

Wide Dynamic Range

Embedded with industry leading wide dynamic range (WDR) technology, vivid pictures are achieved even in the most intense contrast lighting conditions. For applications with both bright and low lighting conditions that change quickly, True WDR (120dB) optimizes both the bright and dark areas of a scene at the same time to provide usable video.

Image flip

Capturing unnecessary data such as surrounding hallway walls can increase storage requirements without any added value. The image flip feature allows the camera's image to be rotated in 90° increments for better video optimization.

Protection

Supporting ±10% input voltage tolerance, this camera suits even the most unstable conditions for outdoor applications. Its 6KV lightning rating provides protection against the camera and its structure from the effects of lightning.

Interoperability

The camera conforms to the ONVIF (Open Network Video Interface Forum) specifications, ensuring interoperability between network video products regardless of manufacturer

HEVC (H.265)

H.265 ITU-T VCEG is a new video coding standard. H.265 Following standard developed around the existing video coding standard H.264, some retain the original technology, while some of the relevant technology to improve the new technology uses advanced technology to improve the relationship between the code stream, encoding quality, and the delay between algorithm complexity, optimize settings specific contents include: Improve compression efficiency, improve the robustness and error recovery capabilities, real-time to reduce the delay, reduce channel acquisition time and a random access delay, reduce complexity, etc

Technical Specification

Camera	
Image Sensor	1/3" 4Megapixel progressive CMOS
Effective Pixels	2688(H) x1520(V)
RAM/ROM	512MB/32MB
Scanning System	Progressive
Electronic Shutter Speed	Auto/Manual, 1/3(4)~1/100000s
Minimum Illumination	0.03Lux/F1.4(Color,1/3s,30IRE) 0.3Lux/F1.4(Color,1/30s,30IRE) 0Lux/F1.4(IR on)
S/N Ratio	More than 45dB
IR Distance	Distance up to 60m(197ft)
IR On/Off Control	Auto/ Manual
IR LEDs	4

Lens					
Lens Type	Motorized(-ZS),Manual(-VFS)				
Mount Type	Board-in				
Focal Length	2.7mm~13.5mm				
Max. Aperture	F1.4				
Angle of View	H:104°~28°, V:55°~16°				
Focus Control	Motorized(-ZS),Manual(-VFS)				
Close Focus Distance	0.2m				
DORI Distance	Lens	Detect	Observe	Recognize	Identify
	W	64m(210t)	26m(85ft)	13m(43ft)	6m(20ft)
	T	222m(728ft)	89m(292ft)	44m(144ft)	22m(72ft)

PTZ	
Pan/Tilt Range	Pan:0° ~355° ;Tilt:0° ~90° ;Rotation:0° ~330°

Video	
Compression	H.265+/H.265/H.264+/H.264
Streaming Capability	2 Streams
Resolution	(2688x1520)/(2560x1440)/ (2304x1296)/1080P(1920x1080)/ SXGA(1280x1024)/1.3M(1280x 960)/720P(1280x720)/D1(704x576/704x480)/ VGA(640x480)CIF(352x288/352x240)
Frame Rate	4M (1 ~ 20fps)/3M(1 ~ 25/30fps) D1/CIF(1 ~ 25/30fps)
Bit Rate Control	CBR/VBR
Bit Rate	H.265: 12K ~ 8448Kbps H.264: 32K ~ 10240Kbps
Day/Night	Auto(ICR) / Color / B/W
BLC Mode	BLC / HLC / WDR(120dB)

White Balance	Auto/Natural/Street Lamp/Outdoor/Manual
Gain Control	Auto/Manual
Noise Reduction	3D DNR
Motion Detetion	Off / On (4 Zone, Rectangle)
Region of Interest	Off / On (4 Zone)
Electronic Image Stabilization(EIS)	N/A
Smart IR	Support
Digital Zoom	16x
Flip	0°/90°/180°/270°
Mirror	Off / On
Privacy Masking	Off / On (4 Area, Rectangle)

Audio	
Compression	N/A

Network	
Ethernet	RJ-45 (10/100Base-T)
Protocol	HTTP;TCP;ARP;RTSP;RTP;UDP;RTCP;SMTP;FTP;DHCP ;DNS;DDNS;PPPOE;IPv4/v6;SNMP;QoS;UPnP;NTP
Interoperability	ONVIF, PSIA, CGI
Streaming Method	Unicast / Multicast
Max. User Access	20 Users
Edge Storage	NAS Local PC for instant recording Micro SD Card 128GB
Web Viewer	IE, Chrome, Firefox, Safari
Management Software	Smart PSS, DSS,DMSS
Smart Phone	IOS, Android

Certifications	
Certifications	CE (EN 60950:2000) UL:UL60950-1 FCC: FCC Part 15 Subpart B

Interface	
Video Interface	N/A
Audio Interface	N/A
RS485	N/A
Alarm	N/A

Electrical	
Power Supply	DC12V PoE (802.3af)(Class 0)
Power Consumption	<11.74W(-ZS), <9.09W(-VFS)

Environmental

Operating Conditions	-30° C ~ +60° C (-22° F ~ +140° F) / Less than 95% RH
Storage Conditions	-30° C ~ +60° C (-22° F ~ +140° F) / Less than 95% RH
Ingress Protection	IP67
Vandal Resistance	N/A

Construction

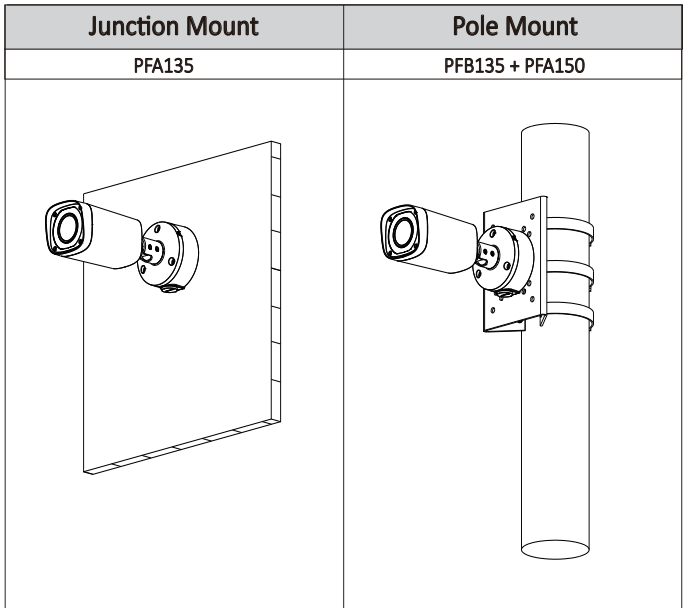
Casing	Metal
Dimensions	72mm×80mm×212.8mm ((2.8" x 3.1" x 8.4"))
Net Weight	0.685Kg (1.51lb)
Gross Weight	0.86Kg (1.90lb)

Ordering Information

Type	Part Number	Description
4MP camera	DH-IPC-HFW2431RP-ZS-IRE6	4MP WDR IR Bullet Network Camera, PAL
	DH-IPC-HFW2431RN-ZS-IRE6	4MP WDR IR Bullet Network Camera, NTSC
	IPC-HFW2431RP-ZS-IRE6	4MP WDR IR Bullet Network Camera, PAL
	IPC-HFW2431RN-ZS-IRE6	4MP WDR IR Bullet Network Camera, NTSC
	DH-IPC-HFW2431RP-VFS-IRE6	4MP WDR IR Bullet Network Camera, PAL
	DH-IPC-HFW2431RN-VFS-IRE6	4MP WDR IR Bullet Network Camera, NTSC
	IPC-HFW2431RP-VFS-IRE6	4MP WDR IR Bullet Network Camera, PAL
	IPC-HFW2431RN-VFS-IRE6	4MP WDR IR Bullet Network Camera, NTSC
Accessories (optional)	PFA135	Junction box
	PFA150	Pole mount

Accessories

Optional:



Dimensions (mm/inch)

