

DH-IPC-HFW4800E

4K Ultra HD Network Small IR-Bullet Camera



Features

- 1/2.3" 4K progressive scan CMOS
- H.264 & MJPEG dual-stream encoding
- Max 15fps@4K(3840×2160)
- DWDR, Day/Night(ICR), 3DNR,AWB,AGC,BLC
- Multiple network monitoring: Web viewer, CMS(DSS/PSS) & DMSS
- 4mm fixed lens
- Max. IR LEDs Length 30m
- IP66, PoE

DH-IPC-HFW4800E

Technical Specifications

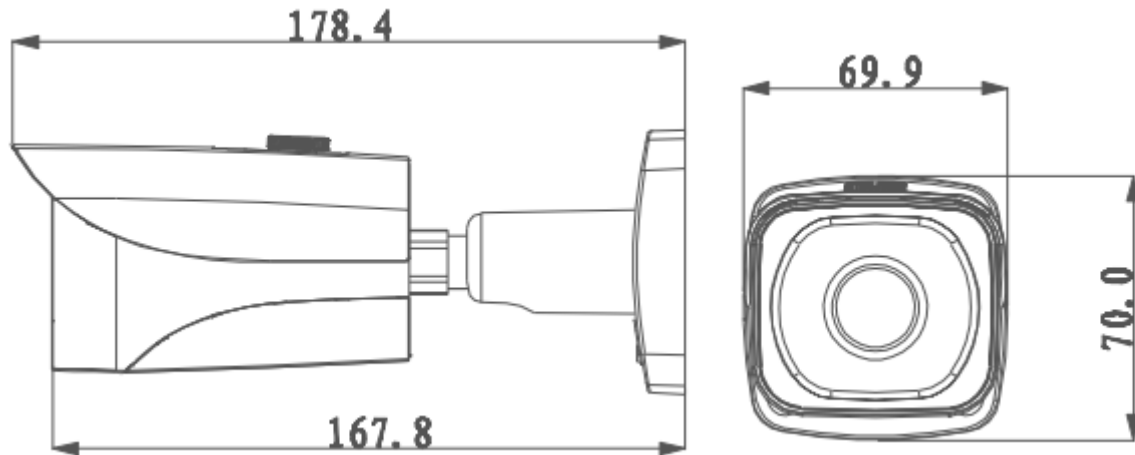
Model	DH-IPC-HFW4800E	
Camera		
Image Sensor	1/2.3" 4K progressive scan CMOS	
Effective Pixels	3840(H)x2160(V)	
Scanning System	Progressive	
Electronic Shutter Speed	Auto/Manual, 1/3(4)~1/10000s	
Min. Illumination	0.1Lux/F1.6 (Color), 0Lux/F1.6(IR on)	
S/N Ratio	More than 50dB	
Video Output	N/A	
Camera Features		
Max. IR LEDs Length	30m	
Day/Night	Auto(ICR)/Color/B/W	
Backlight Compensation	BLC / HLC / DWDR	
White Balance	Auto/Manual	
Gain Control	Auto/Manual	
Noise Reduction	3D	
Privacy Masking	Up to 4 areas	
Lens		
Focal Length	4mm	
Max Aperture	F1.6	
Focus Control	Manual	
Angle of View	H:80°	
Lens Type	Fixed lens	
Mount Type	Board-in Type	
Video		
Compression	H.264/ MJPEG	
Resolution	4K(3840×2160)3M(2048×1536)/1080P(1920×1080) / 720P(1280×720) /D1(704×576/704×480) / CIF(352×288/352×240)	
Frame Rate	Main Stream	4K(1~15fps)/3M/1080P/ (1 ~ 25/30fps)
	Sub Stream	D1/CIF(1 ~ 25/30fps)
Bit Rate	H.264: 20K ~ 16Mbps	
Audio		
Compression	N/A	
Interface	N/A	
Network		
Ethernet	RJ-45 (10/100Base-T)	
Wi-Fi	N/A	
Protocol	IPv4/IPv6, HTTP, HTTPS, SSL, TCP/IP, UDP, UPnP, ICMP, IGMP, SNMP, RTSP, RTP, SMTP, NTP, DHCP, DNS, PPPOE, DDNS, FTP, IP Filter, QoS, Bonjour	
Compatibility	ONVIF,PSIA,CGI	
Max. User Access	20users	

DH-IPC-HFW4800E



Smart Phone	iPhone, iPad, Android, Windows Phone
Auxiliary Interface	
Memory Slot	N/A
RS485	N/A
Alarm	N/A
PIR Sensor Range	N/A
General	
Power Supply	DC12V, PoE (802.3af)
Power Consumption	<7.5W
Working Environment	-30°C~+60°C, Less than 95% RH
Ingress Protection	IP66
Vandal Resistance	N/A
Dimensions	178.4mm×70mm×69.9mm
Weight	528g(683.4g with packaging)

DH-IPC-HFW4800E

Dimensions (mm)



Accessories (optional)

		
PFA121	PFA152	PFA151

Dahua Technology Co., Ltd.

1199 BinAn Road, Binjiang District, Hangzhou, China

Tel: +86-571-87688883

Fax: +86-571-87688815

Email: overseas@dahuatech.com

www.dahuatech.com

	<p>Tel: (01)489-5256 / 792-1818 RPM: #9722-52510 / 990-340327 ventas@jcworld.com.pe Calle 15 Mz F Lote 25, Ofic. 101 Urb. Prolima- Los Olivos www.jcworld.com.pe</p>
--	---

*Design and specifications are subject to change without notice.

© 2014 Dahua Technology Co., Ltd.